

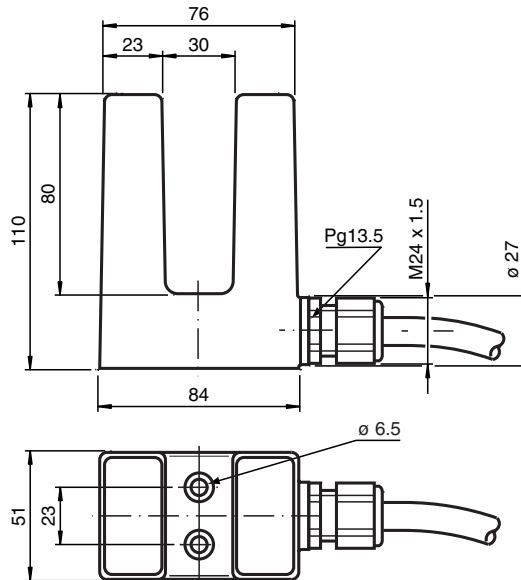
Inductive slot sensor

SJ30-A2

- 30 mm slot width
- 4-wire DC



Dimensions



Technical Data

General specifications

| | | |
|------------------------------|---------------|--|
| Switching function | complementary | |
| Output type | PNP | |
| Slot width | 30 mm | |
| Depth of immersion (lateral) | 27 ... 31 mm | |
| Output polarity | DC | |
| Output type | 4-wire | |

Nominal ratings

| | | |
|-----------------------------|----------------------------|----------------|
| Operating voltage | U_B | 10 ... 30 V DC |
| Switching frequency | f | 0 ... 150 Hz |
| Reverse polarity protection | reverse polarity protected | |
| Short-circuit protection | pulsing | |
| Voltage drop | U_d | ≤ 3 V |
| Operating current | I_L | 0 ... 200 mA |

Release date: 2022-06-21 | Date of issue: 2022-06-21 | Filename: 000821_eng.pdf

Refer to "General Notes Relating to Pepperl+Fuchs Product Information".

Pepperl+Fuchs Group
www.pepperl-fuchs.com

USA: +1 330 486 0001
fa-info@us.pepperl-fuchs.com

Germany: +49 621 776 1111
fa-info@de.pepperl-fuchs.com

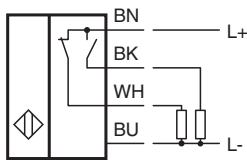
Singapore: +65 6779 9091
fa-info@sg.pepperl-fuchs.com

PF PEPPERL+FUCHS

Technical Data

| | | |
|---|-------|---|
| No-load supply current | I_0 | ≤ 20 mA |
| Functional safety related parameters | | |
| MTTF _d | | 527 a |
| Mission Time (T _M) | | 20 a |
| Diagnostic Coverage (DC) | | 0 % |
| Compliance with standards and directives | | |
| Standard conformity | | |
| Standards | | EN 60947-5-2:2007 EN 60947-5-2/A1:2012 IEC 60947-5-2:2007 IEC 60947-5-2 AMD 1:2012 |
| Approvals and certificates | | |
| UL approval | | cULus Listed, General Purpose |
| CSA approval | | cCSAus Listed, General Purpose |
| CCC approval | | CCC approval / marking not required for products rated ≤ 36 V |
| Ambient conditions | | |
| Ambient temperature | | -25 ... 70 °C (-13 ... 158 °F) |
| Mechanical specifications | | |
| Connection type | | cable PVC , 2 m |
| Core cross section | | 0.75 mm ² |
| Housing material | | ABS |
| Degree of protection | | IP67 |
| Cable | | |
| Cable diameter | | 6.8 mm \pm 0.2 mm |
| Bending radius | | > 10 x cable diameter |

Connection



Release date: 2022-06-21 | Date of issue: 2022-06-21 | Filename: 000821_eng.pdf